



输出功率: 约2~40W

碳刷马达

典型应用: 家用电器

电动玩具

电动工具

OUTPUT:APPROX 2~40W

Cabron-brush Motors

Typical Applications: Household Appliances

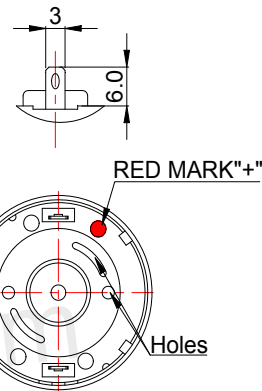
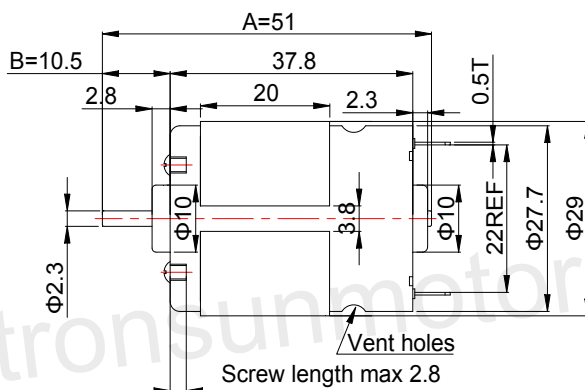
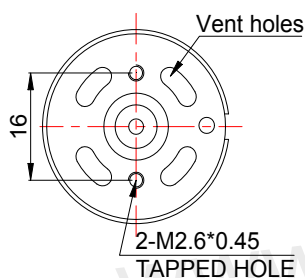
Electric Toys

Electrical Tools

1.OUTLINE DRAWING:

UNIT:MM

DIRECTION OF ROTATION



Customizable Parameters:

1. Length A and B
2. Electric Performance
3. Direction of Rotation

WEIGHT: 81g(Approx)

View:



2.MOTOR PERFORMANCE :

MODEL	VOLTAGE		NO LOAD		AT MAXIMUM EFFICIENCY				STALL			
	OPERATING RANGE	NOMINAL V	SPEED rpm	CURRENT A	SPEED rpm	CURRENT A	TORQUE g.cm	TORQUE mN.m	OUTPUT W	TORQUE g.cm	TORQUE mN.m	CURRENT A
RS-380SH-2775	3.0~7.0	6.0	8500	0.38	6938	1.69	89.1	8.74	6.34	485	47.60	7.50
RS-385SH-14125	6.0~24.0	24.0	10600	0.14	8465	0.56	87.6	8.60	7.61	435	42.69	2.20
RS-385SH-15130	5.0~13.0	12.0	4900	0.08	3805	0.29	56	5.50	2.19	265	26.01	1.08
RS-380SH-3555R	5.0~13.0	12.0	20000	0.5	17500	3.80	150	14.72	26.92	1266	124.24	28.60

