

输出功率: 约2~60W

碳刷马达

典型应用: 家用电器

电动玩具

电动工具

OUTPUT:APPROX 2~60W

Cabron-brush Motors

Typical Applications: Household Appliances

Electric Toys

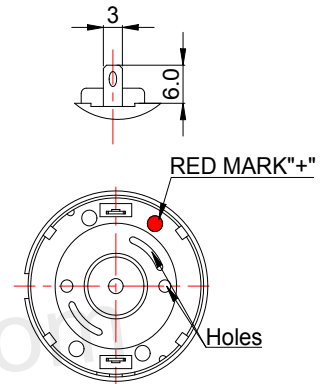
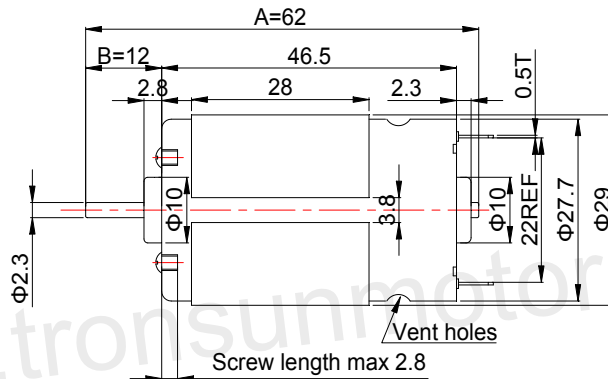
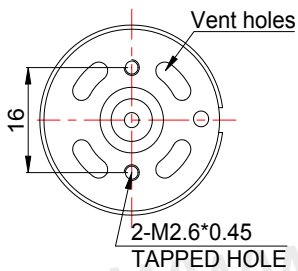
Electrical Tools

1.OUTLINE DRAWING:

UNIT:MM

DIRECTION OF ROTATION

CCW

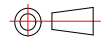


Customizable Parameters:

1. Length A and B
2. Electric Performance
3. Direction of Rotation

WEIGHT: 105g(Approx)

View:



2.MOTOR PERFORMANCE :

MODEL	VOLTAGE		NO LOAD		AT MAXIMUM EFFICIENCY				STALL			
	OPERATING RANGE	NOMINAL V	SPEED rpm	CURRENT A	SPEED rpm	CURRENT A	TORQUE g.cm	TORQUE mN.m	OUTPUT W	TORQUE g.cm	TORQUE mN.m	CURRENT A
RS-390SH-21130	6.0~13.0	12.0	7200	0.12	6047	0.63	79.8	7.83	4.95	498	48.87	3.30
RS-395PH-10220	12.0~25.0	24.0	3900	0.04	3078	0.15	60.3	5.92	1.90	286	28.07	0.56
RS-395SH-18100R	6.0~25.0	24.0	9900	0.09	8465	0.52	114.5	11.24	9.94	775	76.05	3.00
RS-390PH-5032R	3.0~12.0	12.0	26800	0.89	23600	6.75	239	23.45	57.85	2050	201.18	51.20

