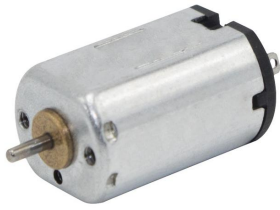


MODEL:FF-M20TA



输出功率: 约0.1~0.8W

贵金属电刷马达

典型应用: 电子门锁
智能家居
精密仪器
减速箱

OUTPUT:APPROX0.1~0.8W

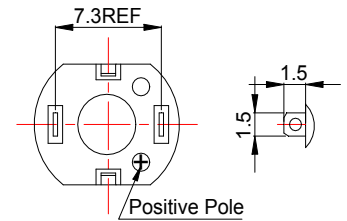
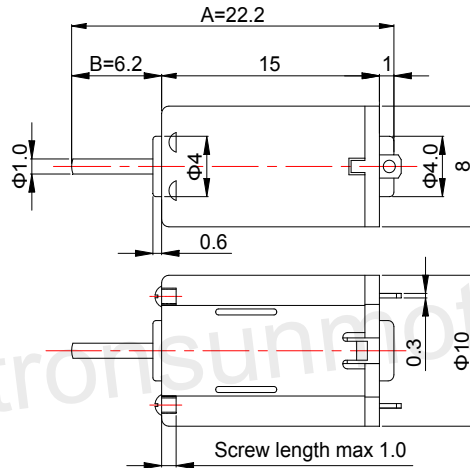
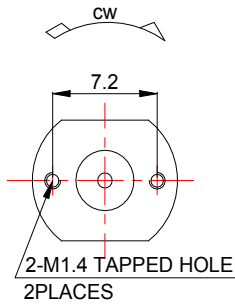
Precious Metal-brush Motors

Typical Applications: Electronic Door Lock
Smart Home Appliance
Precision Instruments
Gear Box

1.OUTLINE DRAWING:

UNIT:MM

DIRECTION OF ROTATION

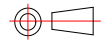


Customizable Parameters:

1. Length A and B
2. Electric Performance
3. Direction of Rotation
4. Eccentric Wheel is available

WEIGHT:4.1g(Approx)

View:



2.MOTOR PERFORMANCE :

MODEL	VOLTAGE		NO LOAD			AT MAXIMUM EFFICIENCY				STALL		
	OPERATING RANGE	NOMINAL	SPEED	CURRENT	SPEED	CURRENT	TORQUE	OUTPUT	TORQUE	CURRENT		
		V	rpm	A	rpm	A	g.cm	mN.m	W	g.cm	mN.m	A
FF-M20TA-09120	2.0~4.0	3.0	15000	0.045	11700	0.16	1.9	0.19	0.23	8.5	0.83	0.58
FF-M20TA-07175	3.0~6.0	6.0	24000	0.036	19500	0.16	2.1	0.21	0.42	11.5	1.13	0.68
FF-M20TA-08145	2.0~4.0	3.7	16600	0.025	12600	0.15	2.2	0.22	0.28	9.2	0.90	0.47

