



输出功率: 约1.0~12.0W

碳刷马达

典型应用: 电子门锁
后视镜
头灯调节装置

OUTPUT: APPROX 1.0~12.0W

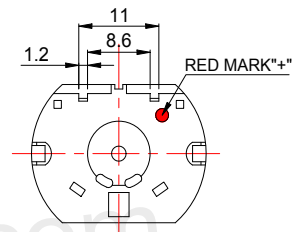
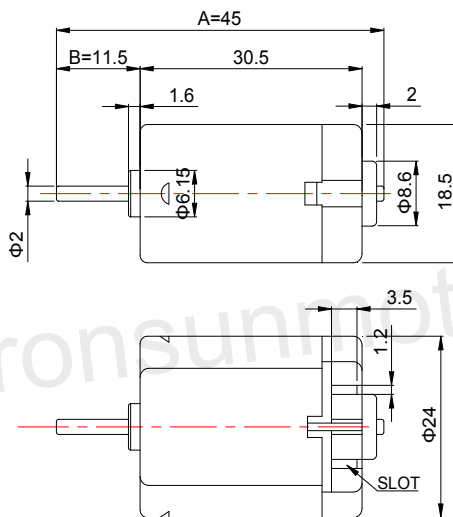
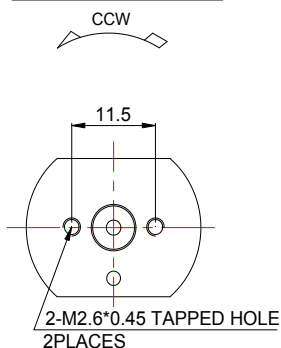
Carbon-brush Motors

Typical Applications: Electronic Door Lock
Rearview Mirror
Headlamp Adjuster

1. OUTLINE DRAWING:

UNIT:MM

DIRECTION OF ROTATION



Customizable Parameters:

1. Length A and B
2. Electric Performance
3. Direction of Rotation
4. Eccentric Wheel is available

WEIGHT: 36g(Approx)

View:



2. MOTOR PERFORMANCE :

MODEL	VOLTAGE		NO LOAD		AT MAXIMUM EFFICIENCY					STALL		
	OPERATING RANGE	NOMINAL V	SPEED rpm	CURRENT A	SPEED rpm	CURRENT A	TORQUE g.cm	TORQUE mN.m	OUTPUT W	TORQUE g.cm	TORQUE mN.m	CURRENT A
FT-280PA-22125	3.0~13.0	12.0	14500	0.14	12500	0.91	50	4.91	6.41	378	37.10	5.85
FT-280SA-18165	6.0~14.0	13.0	11800	0.12	9745	0.57	50.5	4.96	5.05	290	28.46	2.70
FT-280PA-16220	6.0~13.0	12.0	8000	0.06	6793	0.34	39.2	3.85	2.73	260	25.52	1.85
FT-280SA-10425	6.0~25.0	24.0	8300	0.04	6817	0.18	38.5	3.78	2.69	214	21.00	0.84

